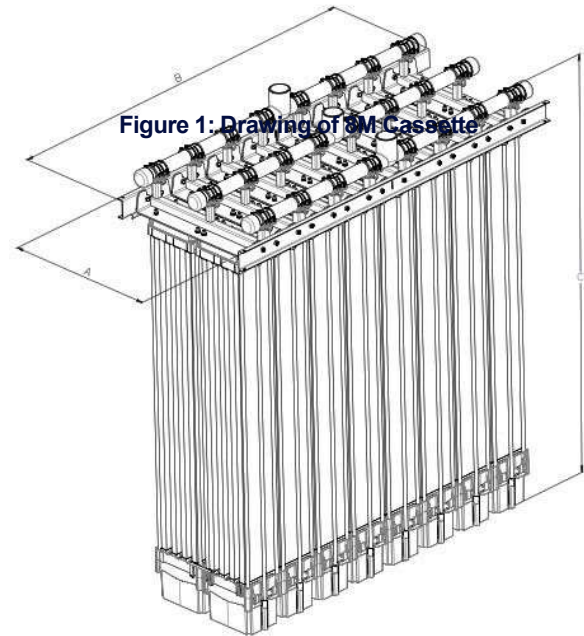


# ZeeWeed\* 500SA cassette

## ultrafiltration membrane cassette

Cassette Dimensions			
Product	Width (A) mm (in)	Length (B) mm (in)	Height (C) mm (in)
8M	732 (28.8")	1828 mm (72.0")	2049.13 (80.7")
6M			
4M		987 mm (38.9")	
2M			



Cassette Tie-Points & Weights						
Application	Product	Max. # of ZW Modules	Permeate Connection	Air Connection	Max. Shipping Weight <sup>1</sup> kg (lb)	Lifting Weight <sup>2</sup> kg (lb)
MBR/ non-MBR	8M SA	8	2 x 3" socket	3" socket	623 (1374)	830-1270 (1830-2800)
	6M SA	6			495 (1091)	670-1000 (1477-2205)
	4M SA	4			341 (752)	445-665 (981-1466)
	2M SA	2			213 (470)	285-395 (628-871)
Replacements ONLY (where 2" spool already exists)	8M SA	8	2 x 2" socket	2" socket	623 (1374)	830-1270 (1830-2800)
	6M SA	6			495 (1091)	670-1000 (1477-2205)
	4M SA	4			341 (752)	445-665 (981-1466)
	2M SA	2			213 (470)	285-395 (628-871)

<sup>1</sup> Crated with maximum number of modules

<sup>2</sup> Varies with number of modules and solids accumulation